

# MON-422 Series Vibration Sensor

4-20mA 'g' Sensor for PLC Interface



## Typical Applications

- Low cost online means of monitoring with the capability of interfacing direct into PLC, BMS or any 4-20mA input module.  
Proven use in vibration monitoring for offline applications using commercially available data collectors.
- **Protecting...**  
Fans, Motors, Pumps, Compressors, Centrifuges, Conveyers, Air Handlers, Gearboxes, Rolls, Dryers, Presses, Cooling, HVAC, Spindles, Machine Tooling, Process Equipment and many more.

## Technical Performance

Mounted Base Resonance	10 kHz min.
Acceleration Ranges	0-10 to 0-100 g (5 ranges)
Frequency Response	10 Hz to 5 kHz $\pm$ 3dB
Isolation	Base isolated
Measurement Range	50 g peak
Transverse Sensitivity	Less than 5%

## Electrical

Output Current	4-20 mA DC proportional to 'g'
Supply Voltage	15 - 30 Volts DC (for 4-20 mA)
Settling Time	2 seconds
Output Impedance	Loop Resistance 600 Ohms max. at 24 Volts
Case Isolation	$>10^8$ Ohms at 500 Volts

## Environmental

Operating Temperature Range	-25 to 90 °C
Sealing	IP65
Maximum Shock	5000 g
Emissions	EN61000-6-4:2001
Immunity	EN61000-6-2:1999

## Mechanical

Case Material	Stainless Steel
Sensing Element/Construction	PZT/Compression
Mounting Torque	8 Nm
Weight	140 gms (nom)
Maximum Cable length	1000 metres
Standard Cable	5 metres armoured PTFE
Mounting Threads	See 'How to order' table
Options	Ranges, connector, side exit cable, other cable lengths, intrinsically safe



**MONITION LTD**

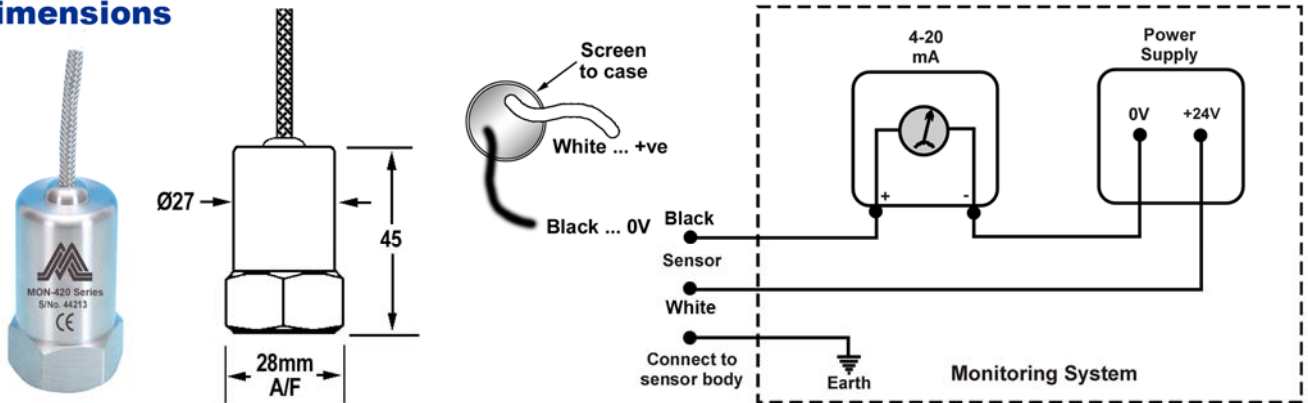
Condition Monitoring  
& Plant Reliability Services

Tel: +44(0) 1909 722000  
Fax: +44(0) 1909 722208  
Email: sales@monition.com  
Web: www.monition.com

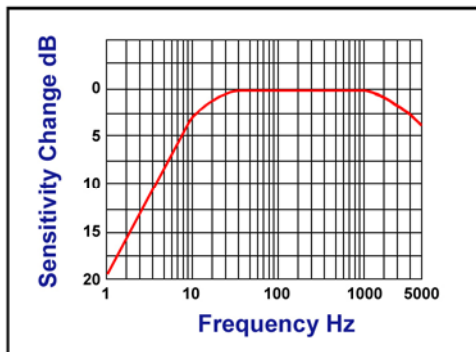
PRODUCT DATA

# MON-422 Series Vibration Sensor

## Dimensions



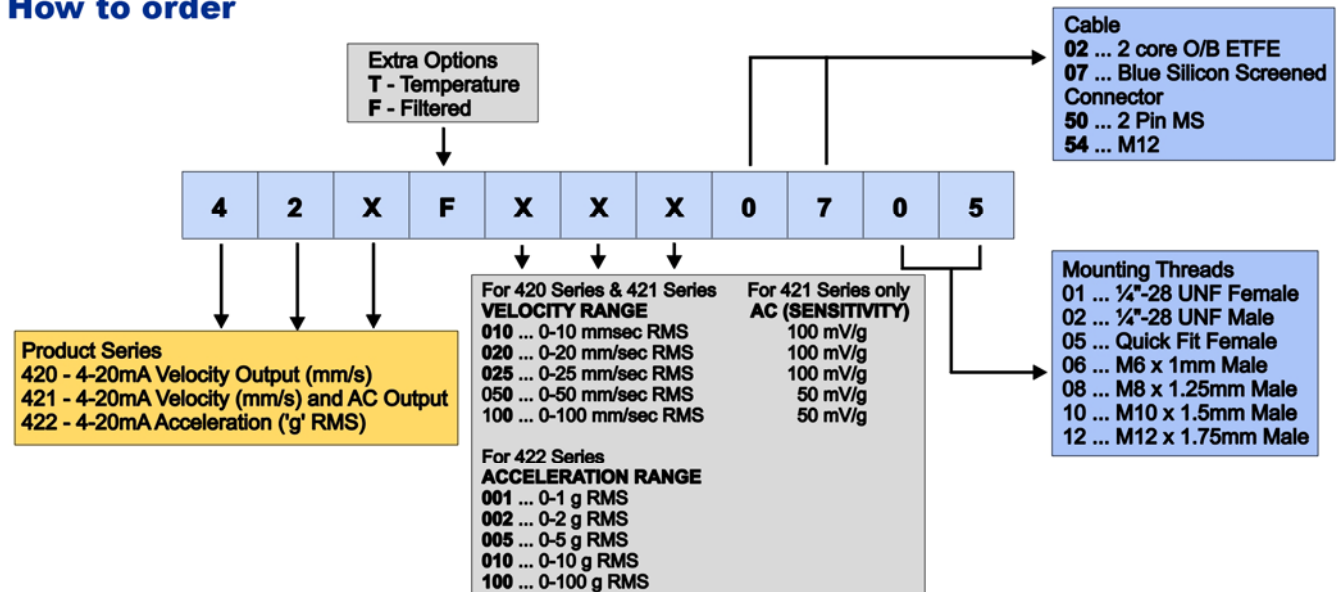
## Frequency Response



Mounting of sensor to achieve good repeatable readings. Vibration sensor should be firmly fixed to a flat surface (spot face surface may be needed to be produced and cable anchored to sensor body.)



## How to order



Please contact our Sales Office for information on sensor accessories (mounting studs, etc) and multichannel switch boxes.

We reserve the right to alter the specification of this product without prior notice.