

# MON-105 Series Vibration Sensor

High Temperature Industrial Accelerometer (includes external Charge Amplifier)



## Typical Applications

- Proven use in vibration monitoring for offline applications using commercially available data collectors and online monitoring systems in the fields of Paper and Pulp Dryers, Metals Manufacture, Utilities, Aerospace, etc.
- **Protecting...**  
Gearboxes, Rolls, Dryers, Presses, Turbine Process Equipment and many more.

## Technical Performance

Mounted Base Resonance	22 kHz (nominal)
Sensitivity	100 mV/g $\pm 10\%$ Nominal 80 Hz at 22°C
Frequency Response	2 Hz to 10 kHz $\pm 5\%$ 0.8 Hz to 15 kHz $\pm 3$ dB
Isolation	Base isolated
Measurement Range	$\pm 80$ g
Transverse Sensitivity	Less than 5%

## Electrical

Electrical Noise	0.1 mg max.
Current Range	0.5 mA to 8 mA
Bias Voltage	10 - 12 Volts DC
Settling Time	2 seconds
Output Impedance	200 Ohms max.
Case Isolation	>10 Ohms at 500 Volts

## Environmental

Operating Temperature Range	-55 to 250 °C
Sealing	IP67
Maximum Shock	5000 g
Emissions	EN61000-6-4:2001
Immunity	EN61000-6-2:1999

## Mechanical

Case Material	Stainless Steel
Sensing Element/Construction	PZT/Compression
Mounting Torque	8 Nm
Weight	100 gms (nom)
Cable	5 metres low noise over-braided cable (20 metres max between sensor and charge amplifier)
Mounting Threads	See 'How to order' table
Options	Different cable lengths and connector



**MONITION LTD**

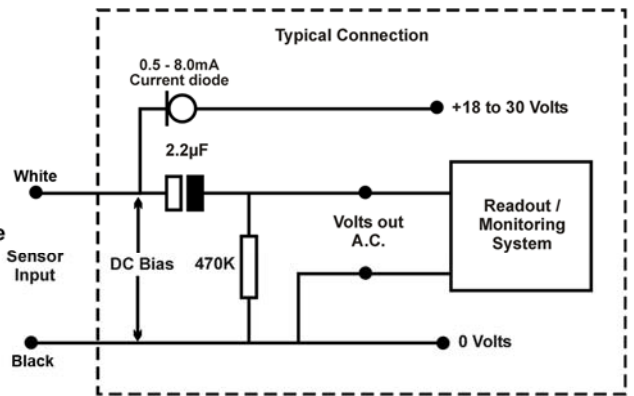
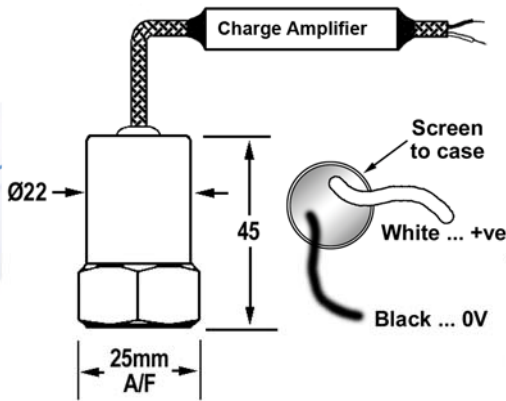
Condition Monitoring  
& Plant Reliability Services

Tel: +44(0) 1909 722000  
Fax: +44(0) 1909 722208  
Email: [sales@monition.com](mailto:sales@monition.com)  
Web: [www.monition.com](http://www.monition.com)

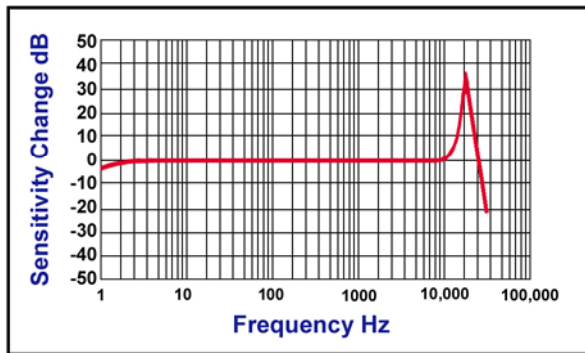
PRODUCT DATA

# MON-105 Series Vibration Sensor

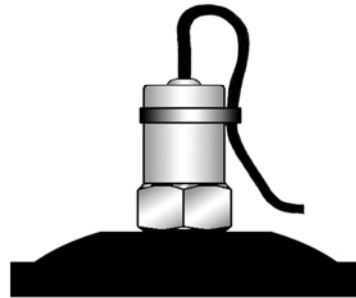
## Dimensions



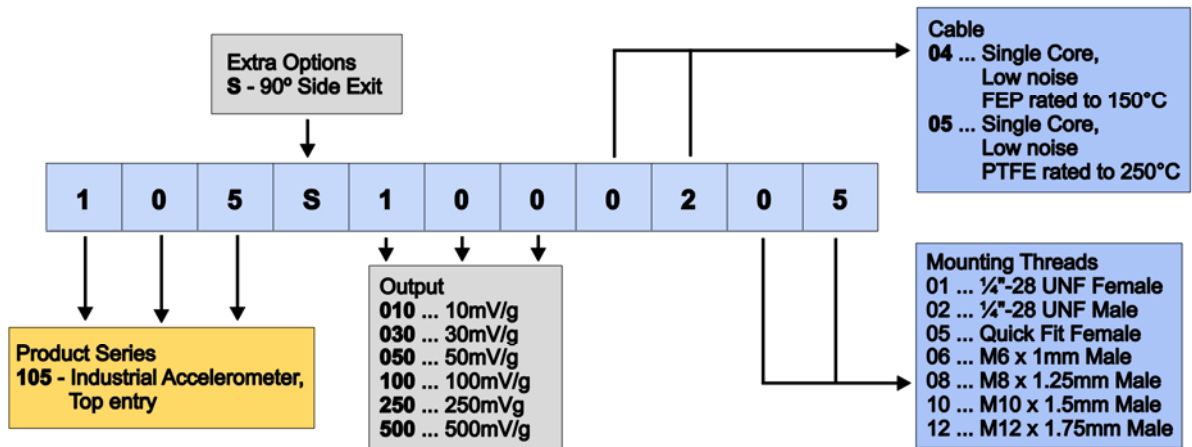
## Frequency Response



Mounting of sensor to achieve good repeatable readings. Vibration sensor should be firmly fixed to a flat surface (spot face surface may be needed to be produced and cable anchored to sensor body.)



## How to order



Please contact our Sales Office for information on sensor accessories (mounting studs, etc) and multichannel switch boxes.

We reserve the right to alter the specification of this product without prior notice.