

MON-140 Series Vibration Sensor

General purpose, charge output accelerometer



Technical Performance

Mounted Base Resonance	32 kHz (nominal)
Charge Sensitivity	20 pC/g nom.
Frequency Response	2 Hz to 12 kHz $\pm 5\%$
Amplitude Linearity	$\pm 1\%$
Acceleration Range	± 800 g
Transverse Sensitivity	Less than 5%

Electrical

Capacitance	450 pF nom.
Charge Amplifier	External unit required

Environmental

Operating Temperature Range	-55 to 250 °C
Sealing	IP65
Maximum Shock	5000 g
Emissions	EN61000-6-4:2001
Immunity	EN61000-6-2:1999

Mechanical

Case Material	Stainless Steel
Sensing Element/Construction	PZT/Compression
Mounting Torque	3 Nm
Weight	24 gms (nom)
Maximum Cable length	10 metres
Connector	Microdot
Mounting Threads	See 'How to order' table
Options	Integral cable, other sensitivities, other mountings



MONITION LTD

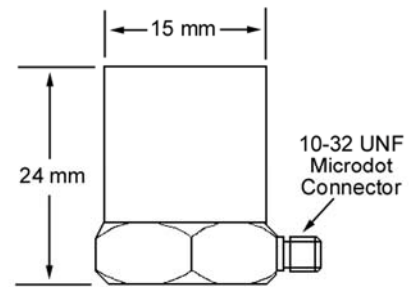
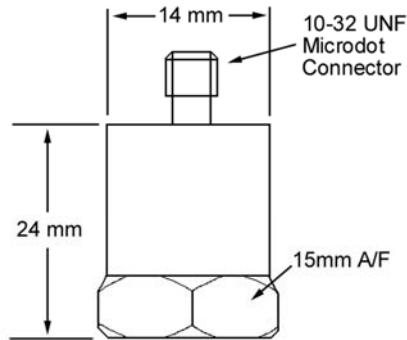
Condition Monitoring
& Plant Reliability Services

Tel: +44(0) 1909 722000
Fax: +44(0) 1909 722208
Email: sales@monition.com
Web: www.monition.com

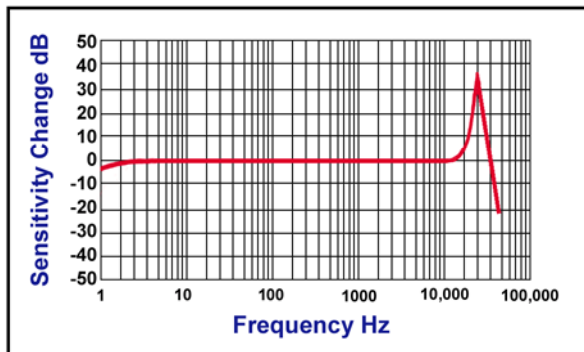
PRODUCT DATA

MON-140 Series Vibration Sensor

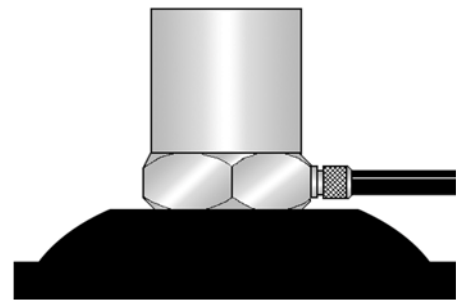
Dimensions



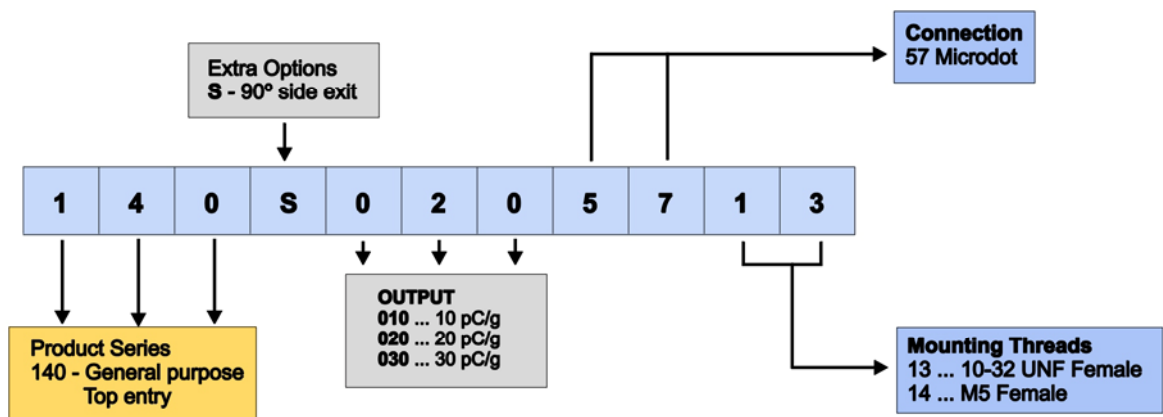
Frequency Response



Mounting of sensor to achieve good repeatable readings. Vibration sensor should be firmly fixed to a flat surface (spot face surface may be needed to be produced and cable anchored to sensor body.)



How to order



Please contact our Sales Office for information on sensor accessories (mounting studs, etc) and multichannel switch boxes.

We reserve the right to alter the specification of this product without prior notice.